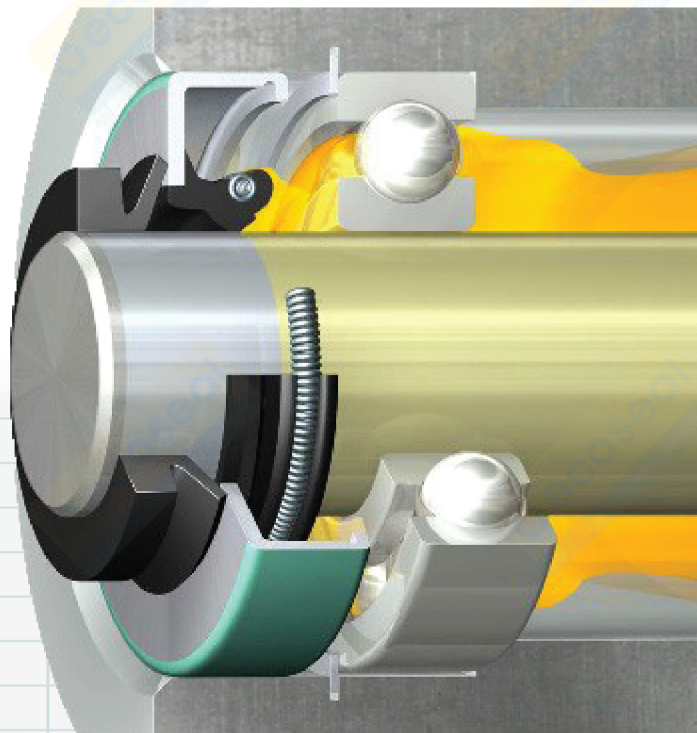
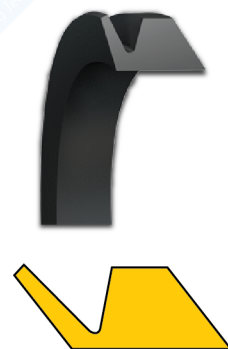
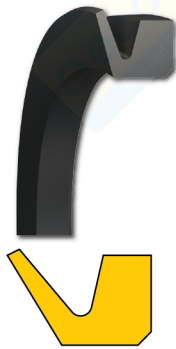


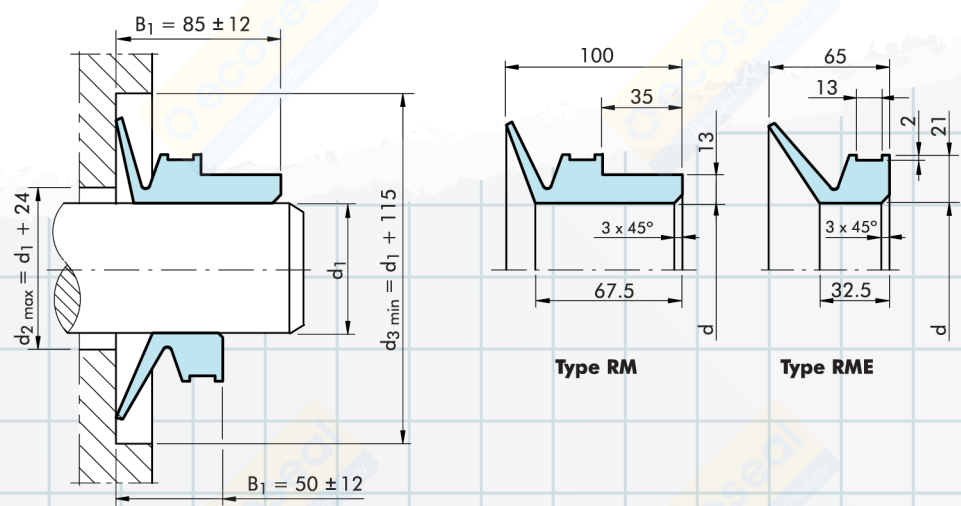
# V-RING

V-Ring คือ ซิลยางที่มีหน้าตัดคล้ายตัว V ใช้สำหรับรััดที่เพลลาหมุน มีหน้าที่ป้องกันฝุ่นหรือน้ำไม่ให้ผ่านเข้าไปทำความเสียหายกับระบบ

**Type RM/RME Type L/LX Type AX Type A Type S Type E**



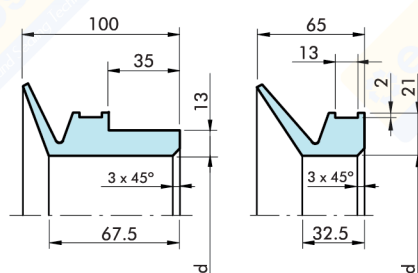
# V-RING TYPE RM/RME



\*ค่าที่ควรทราบ d1 คือ Diameter ของเพลลา  
d คือ Inside Diameter ของ V-Ring

# V-RING TYPE RM/RME

V-Ring Type	For shaft diameter $d_1$	Inside diam. $d$
V-300RM/RME	300 – 305	294
V-305RM/RME	305 – 310	299
V-310RM/RME	310 – 315	304
V-315RM/RME	315 – 320	309
V-320RM/RME	320 – 325	314
V-325RM/RME	325 – 330	319
V-330RM/RME	330 – 335	323
V-335RM/RME	335 – 340	328
V-340RM/RME	340 – 345	333
V-345RM/RME	345 – 350	338
V-350RM/RME	350 – 355	343
V-355RM/RME	355 – 360	347
V-360RM/RME	360 – 365	352
V-365RM/RME	365 – 370	357
V-370RM/RME	370 – 375	362
V-375RM/RME	375 – 380	367
V-380RM/RME	380 – 385	371
V-385RM/RME	385 – 390	376
V-390RM/RME	390 – 395	381
V-395RM/RME	395 – 400	386
V-400RM/RME	400 – 405	391
V-405RM/RME	405 – 410	396
V-410RM/RME	410 – 415	401
V-415RM/RME	415 – 420	405
V-420RM/RME	420 – 425	410
V-425RM/RME	425 – 430	415
V-430RM/RME	430 – 435	420
V-435RM/RME	435 – 440	425
V-440RM/RME	440 – 445	429
V-445RM/RME	445 – 450	434
V-450RM/RME	450 – 455	439
V-455RM/RME	455 – 460	444
V-460RM/RME	460 – 465	448
V-465RM/RME	465 – 470	453
V-470RM/RME	470 – 475	458



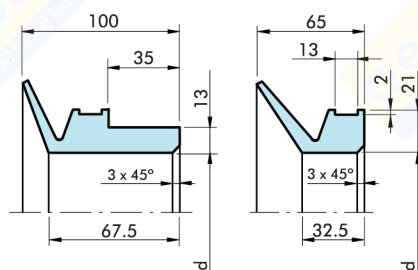
Type RM

Type RME



# V-RING TYPE RM/RME

V-Ring Type	For shaft diameter $d_1$	Inside diam. $d$
V-475RM/RME	475 – 480	463
V-480RM/RME	480 – 485	468
V-485RM/RME	485 – 490	473
V-490RM/RME	490 – 495	478
V-495RM/RME	495 – 500	483
V-500RM/RME	500 – 505	488
V-505RM/RME	505 – 510	493
V-510RM/RME	510 – 515	497
V-515RM/RME	515 – 520	502
V-520RM/RME	520 – 525	507
V-525RM/RME	525 – 530	512
V-530RM/RME	530 – 535	517
V-535RM/RME	535 – 540	521
V-540RM/RME	540 – 545	526
V-545RM/RME	545 – 550	531
V-550RM/RME	550 – 555	536
V-555RM/RME	555 – 560	541
V-560RM/RME	560 – 565	546
V-565RM/RME	565 – 570	550
V-570RM/RME	570 – 575	555
V-575RM/RME	575 – 580	560
V-580RM/RME	580 – 585	565
V-585RM/RME	585 – 590	570
V-590RM/RME	590 – 600	575
V-600RM/RME	600 – 610	582
V-610RM/RME	610 – 620	592
V-620RM/RME	620 – 630	602
V-630RM/RME	630 – 640	612
V-640RM/RME	640 – 650	621
V-650RM/RME	650 – 660	631
V-660RM/RME	660 – 670	640
V-670RM/RME	670 – 680	650
V-680RM/RME	680 – 690	660
V-690RM/RME	690 – 700	670
V-700RM/RME	700 – 710	680



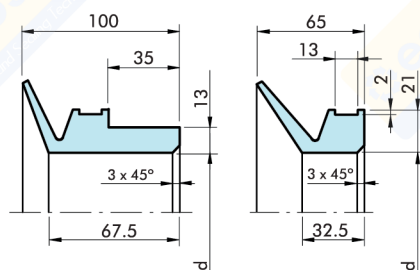
Type RM

Type RME



# V-RING TYPE RM/RME

V-Ring Type	For shaft diameter $d_1$	Inside diam. $d$
V-710RM/RME	710 – 720	689
V-720RM/RME	720 – 730	699
V-730RM/RME	730 – 740	709
V-740RM/RME	740 – 750	718
V-750RM/RME	750 – 758	728
V-760RM/RME	758 – 766	735
V-770RM/RME	766 – 774	413
V-780RM/RME	774 – 783	751
V-790RM/RME	783 – 792	759
V-800RM/RME	792 – 801	768
V-810RM/RME	801 – 810	777
V-820RM/RME	810 – 821	786
V-830RM/RME	821 – 831	796
V-840RM/RME	831 – 841	805
V-850RM/RME	841 – 851	814
V-860RM/RME	851 – 861	824
V-870RM/RME	861 – 871	833
V-880RM/RME	871 – 882	843
V-890RM/RME	882 – 892	853
V-900RM/RME	892 – 912	871
V-920RM/RME	912 – 922	880
V-930RM/RME	922 – 933	890
V-940RM/RME	933 – 944	900
V-950RM/RME	944 – 955	911
V-960RM/RME	955 – 966	921
V-970RM/RME	966 – 977	932
V-980RM/RME	977 – 988	942
V-990RM/RME	988 – 999	953
V-1000RM/RME	999 – 1010	963
V-1020RM/RME	1010 – 1025	973
V-1040RM/RME	1025 – 1045	990
V-1060RM/RME	1045 – 1065	1008
V-1080RM/RME	1065 – 1085	1027
V-1100RM/RME	1085 – 1105	1045
V-1120RM/RME	1105 – 1125	1065



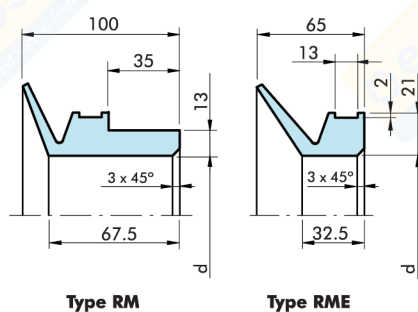
Type RM

Type RME

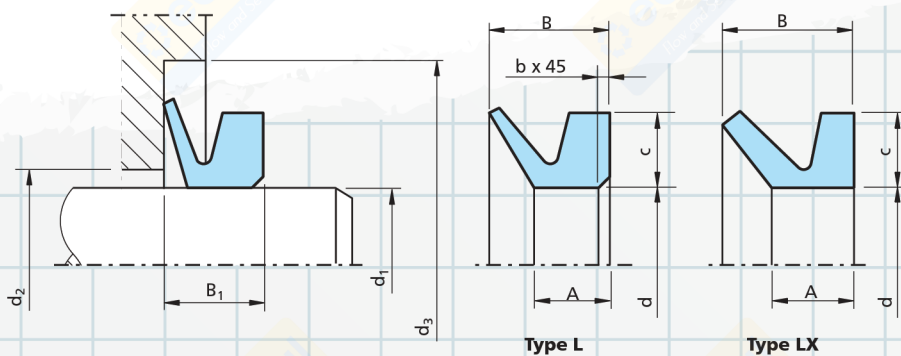


# V-RING TYPE RM/RME

V-Ring Type	For shaft diameter $d_1$	Inside diam. $d$
V-1140RM/RME	1125 – 1145	1084
V-1160RM/RME	1145 – 1165	1103
V-1180RM/RME	1165 – 1185	1121
V-1200RM/RME	1185 – 1205	1139
V-1220RM/RME	1205 – 1225	1157
V-1240RM/RME	1225 – 1245	1176
V-1260RM/RME	1245 – 1270	1195
V-1280RM/RME	1270 – 1295	1218
V-1300RM/RME	1295 – 1315	1240
V-1325RM/RME	1315 – 1340	1259
V-1350RM/RME	1340 – 1365	1281
V-1375RM/RME	1365 – 1390	1305
V-1400RM/RME	1390 – 1415	1328
V-1425RM/RME	1415 – 1440	1350
V-1450RM/RME	1440 – 1465	1374
V-1475RM/RME	1465 – 1490	1397
V-1500RM/RME	1490 – 1515	1419
V-1525RM/RME	1515 – 1540	1443
V-1550RM/RME	1540 – 1570	1467
V-1575RM/RME	1570 – 1600	1495
V-1600RM/RME	1600 – 1640	1524
V-1650RM/RME	1640 – 1680	1559
V-1700RM/RME	1680 – 1720	1596
V-1750RM/RME	1720 – 1765	1632
V-1800RM/RME	1765 – 1810	1671
V-1850RM/RME	1810 – 1855	1714
V-1900RM/RME	1855 – 1905	1753
V-1950RM/RME	1905 – 1955	1794
V-2000RM/RME	1955 – 2010	1844



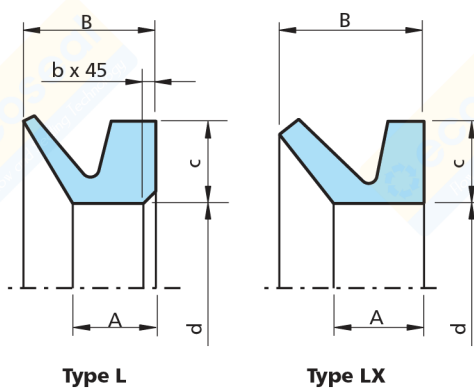
# V-RING TYPE L/LX



\*ค่าที่ควรทราบ d1 คือ Diameter ของเพลลา  
d คือ Inside Diameter ของ V-Ring

# V-RING TYPE L/LX

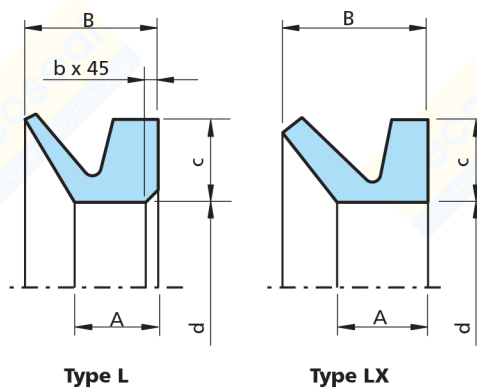
V-Ring Type	For shaft diameter $d_1$	Inside diameter $d$
V-110L	105 - 115	99
V-120L	115 - 125	108
V-130L	125 - 135	117
V-140L/LX	135 - 145	126
V-150L/LX	145 - 155	135
V-160L/LX	155 - 165	144
V-170L/LX	165 - 175	153
V-180L/LX	175 - 185	162
V-190L/LX	185 - 195	171
V-200L/LX	195 - 210	182
V-220L/LX	210 - 233	198
V-250L/LX	233 - 260	225
V-275L/LX	260 - 285	247
V-300L/LX	285 - 310	270
V-325L/LX	310 - 335	292
V-350L/LX	335 - 365	315
V-375L/LX	365 - 385	337
V-400L/LX	385 - 410	360
V-425L/LX	410 - 440	382
V-450L/LX	440 - 475	405
V-500L/LX	475 - 510	450
V-525L/LX	510 - 540	472
V-550L/LX	540 - 575	495
V-600L/LX	575 - 625	540
V-650L/LX	625 - 675	600
V-700L/LX	675 - 710	630
V-725L/LX	710 - 740	670



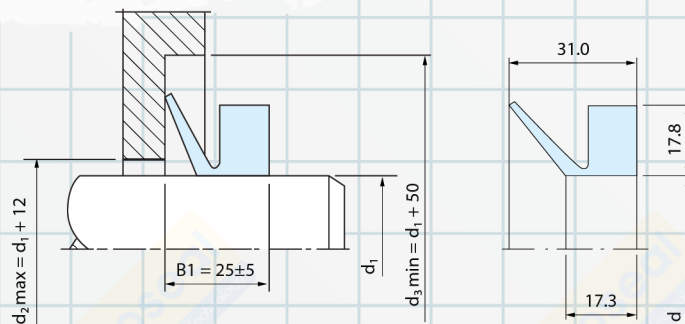


# V-RING TYPE L/LX

V-Ring Type	For shaft diameter $d_1$	Inside diameter $d$
V-750L/LX	740 - 775	705
V-800L/LX	775 - 825	745
V-850L/LX	825 - 875	785
V-900L/LX	875 - 925	825
V-950L/LX	925 - 975	865
V-1000L/LX	975 - 1025	910
V-1050L/LX	1025 - 1075	955
V-1100L/LX	1075 - 1125	1000
V-1150L/LX	1125 - 1175	1045
V-1200L/LX	1175 - 1225	1090
V-1250L/LX	1225 - 1275	1135
V-1300L/LX	1275 - 1325	1180
V-1350L/LX	1325 - 1375	1225
V-1400L/LX	1375 - 1425	1270
V-1450L/LX	1425 - 1475	1315
V-1500L/LX	1475 - 1525	1360
V-1550L/LX	1525 - 1575	1405
V-1600L/LX	1575 - 1625	1450
V-1650L/LX	1625 - 1675	1495
V-1700L/LX	1675 - 1725	1540
V-1750L/LX	1725 - 1775	1585
V-1800L/LX	1775 - 1825	1630
V-1850L/LX	1825 - 1875	1675
V-1900L/LX	1875 - 1925	1720
V-1950L/LX	1925 - 1975	1765
V-2000L/LX	1975 - 2025	1810



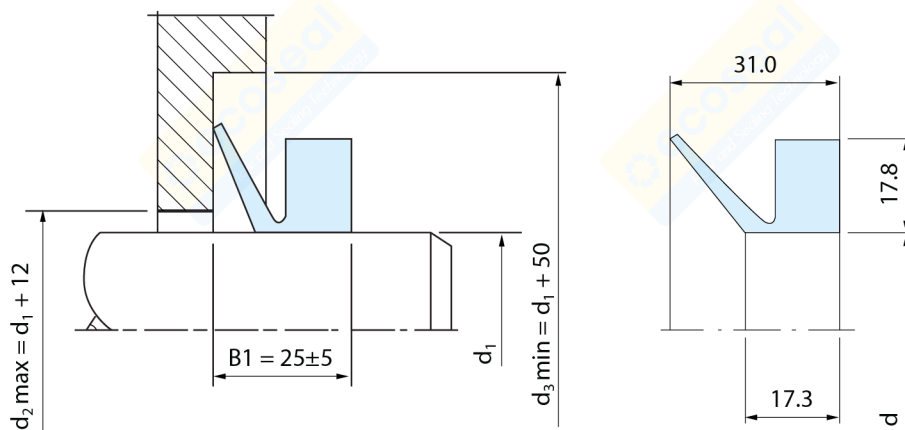
# V-RING TYPE AX



\*ค่าที่ควรทราบ  $d_1$  คือ Diameter ของเพลลา  
 $d$  คือ Inside Diameter ของ V-Ring

# V-RING TYPE AX

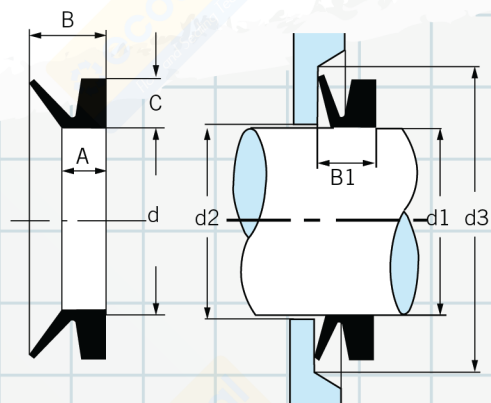
V-Ring Type	For shaft diameter $d_1$	Inside diameter $d$
V-200AX	200 - 205	192
V-205AX	205 - 210	196
V-210AX	210 - 215	200
V-215AX	215 - 219	204
V-220AX	219 - 224	207
V-225AX	224 - 228	211
V-230AX	228 - 232	215
V-235AX	232 - 236	219
V-240AX	236 - 240	223
V-250AX	240 - 250	227
V-260AX	250 - 260	236
V-270AX	260 - 270	245
V-280AX	270 - 281	255
V-290AX	281 - 292	265
V-300AX	292 - 303	275



# V-RING TYPE A



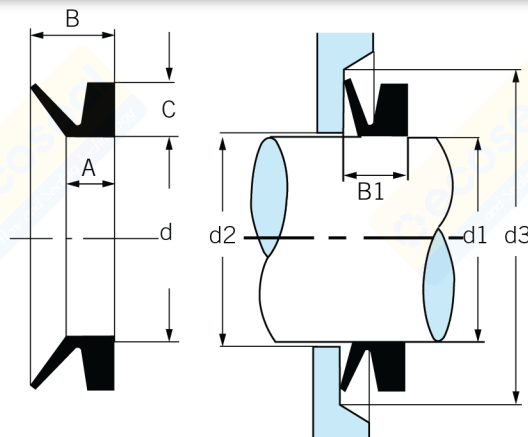
รูปหน้าตัด (Cross section)  
ของ V-Ring



\*ค่าที่ควรทราบ d1 คือ Diameter ของเพล  
d คือ Inside Diameter ของ V-Ring

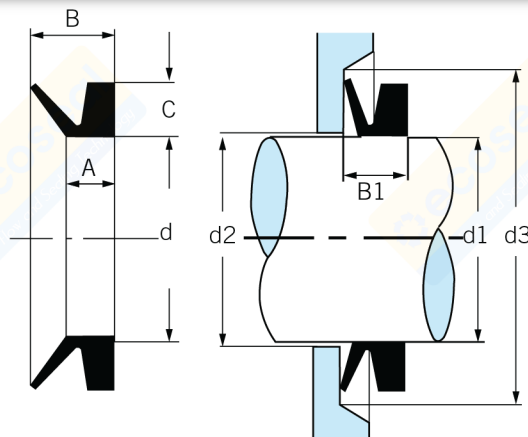
# V-RING TYPE A

V-Ring Type	For shaft diameter $d_1$	Inside dia. $d$	Height of cross-section $c$	Dimension $A$	Free width $B$	Maximum $d_2$	Minimum $d_3$	Fitted width $B_1$
V-3A	2.7 - 3.5	2.5	1.5	2.1	3.0	$d_1 + 1$	$d_1 + 4$	$2.5 \pm 0.3$
V-4A	3.5 - 4.5	3.2	2	2.4	3.7	$d_1 + 1$	$d_1 + 6$	$3.0 \pm 0.4$
V-5A	4.5 - 5.5	4	2	2.4	3.7	$d_1 + 1$	$d_1 + 6$	$3.0 \pm 0.4$
V-6A	5.5 - 6.5	5	2	2.4	3.7	$d_1 + 1$	$d_1 + 6$	$3.0 \pm 0.4$
V-7A	6.5 - 8.0	6	2	2.4	3.7	$d_1 + 1$	$d_1 + 6$	$3.0 \pm 0.4$
V-8A	8.0 - 9.5	7	2	2.4	3.7	$d_1 + 1$	$d_1 + 6$	$3.0 \pm 0.4$
V-10A	9.5 - 11.5	9	3	3.4	5.5	$d_1 + 1$	$d_1 + 9$	$4.5 \pm 0.6$
V-12A	11.5 - 12.5	10.5	3	3.4	5.5	$d_1 + 1$	$d_1 + 9$	$4.5 \pm 0.6$
V-13A	12.5 - 13.5	11.7	3	3.4	5.5	$d_1 + 1$	$d_1 + 9$	$4.5 \pm 0.6$
V-14A	13.5 - 15.5	12.5	3	3.4	5.5	$d_1 + 1$	$d_1 + 9$	$4.5 \pm 0.6$
V-16A	15.5 - 17	14	3	3.4	5.5	$d_1 + 1$	$d_1 + 9$	$4.5 \pm 0.6$
V-18A	17.5 - 19	16	3	3.4	5.5	$d_1 + 1$	$d_1 + 9$	$4.5 \pm 0.6$
V-20A	19 - 21	18	4	4.7	7.5	$d_1 + 2$	$d_1 + 12$	$6.0 \pm 0.8$
V-22A	21 - 24	20	4	4.7	7.5	$d_1 + 2$	$d_1 + 12$	$6.0 \pm 0.8$
V-25A	24 - 27	22	4	4.7	7.5	$d_1 + 2$	$d_1 + 12$	$6.0 \pm 0.8$
V-28A	27 - 29	25	4	4.7	7.5	$d_1 + 2$	$d_1 + 12$	$6.0 \pm 0.8$
V-30A	29 - 31	27	4	4.7	7.5	$d_1 + 2$	$d_1 + 12$	$6.0 \pm 0.8$
V-32A	31 - 33	29	4	4.7	7.5	$d_1 + 2$	$d_1 + 12$	$6.0 \pm 0.8$
V-35A	33 - 36	31	4	4.7	7.5	$d_1 + 2$	$d_1 + 12$	$6.0 \pm 0.8$
V-38A	36 - 38	34	4	4.7	7.5	$d_1 + 2$	$d_1 + 12$	$6.0 \pm 0.8$
V-40A	38 - 43	36	5	5.5	9.0	$d_1 + 2$	$d_1 + 15$	$7.0 \pm 1.0$
V-45A	43 - 48	40	5	5.5	9.0	$d_1 + 2$	$d_1 + 15$	$7.0 \pm 1.0$
V-50A	48 - 53	45	5	5.5	9.0	$d_1 + 2$	$d_1 + 15$	$7.0 \pm 1.0$
V-55A	53 - 58	49	5	5.5	9.0	$d_1 + 2$	$d_1 + 15$	$7.0 \pm 1.0$
V-60A	58 - 63	54	5	5.5	9.0	$d_1 + 2$	$d_1 + 15$	$7.0 \pm 1.0$
V-65A	63 - 68	58	5	5.5	9.0	$d_1 + 2$	$d_1 + 15$	$7.0 \pm 1.0$
V-70A	68 - 73	63	6	6.8	11.0	$d_1 + 3$	$d_1 + 18$	$9.0 \pm 1.2$
V-75A	73 - 78	67	6	6.8	11.0	$d_1 + 3$	$d_1 + 18$	$9.0 \pm 1.2$
V-80A	78 - 83	72	6	6.8	11.0	$d_1 + 3$	$d_1 + 18$	$9.0 \pm 1.2$
V-85A	83 - 88	76	6	6.8	11.0	$d_1 + 3$	$d_1 + 18$	$9.0 \pm 1.2$
V-90A	88 - 93	81	6	6.8	11.0	$d_1 + 3$	$d_1 + 18$	$9.0 \pm 1.2$
V-95A	93 - 98	85	6	6.8	11.0	$d_1 + 3$	$d_1 + 18$	$9.0 \pm 1.2$
V-100A	98 - 105	90	6	6.8	11.0	$d_1 + 3$	$d_1 + 18$	$9.0 \pm 1.2$



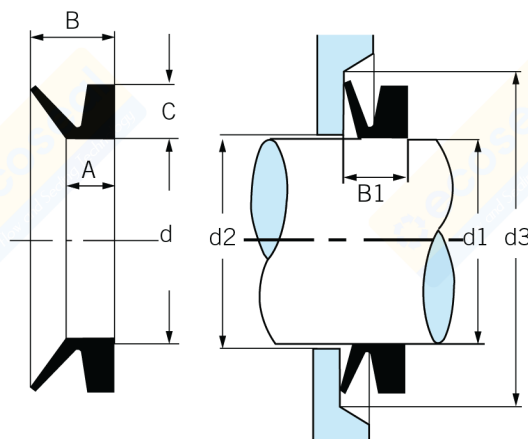
# V-RING TYPE A

V-Ring Type	For shaft diameter $d_1$	Inside dia. $d$	Height of cross-section $c$	Dimension $A$	Free width $B$	Maximum $d_2$	Minimum $d_3$	Fitted width $B_1$
V-110A	105 - 115	99	7	7.9	12.8	$d_1 + 4$	$d_1 + 21$	$10.5 \pm 1.5$
V-120A	115 - 125	108	7	7.9	12.8	$d_1 + 4$	$d_1 + 21$	$10.5 \pm 1.5$
V-130A	125 - 135	117	7	7.9	12.8	$d_1 + 4$	$d_1 + 21$	$10.5 \pm 1.5$
V-140A	135 - 145	126	7	7.9	12.8	$d_1 + 4$	$d_1 + 21$	$10.5 \pm 1.5$
V-150A	145 - 155	135	7	7.9	12.8	$d_1 + 4$	$d_1 + 21$	$10.5 \pm 1.5$
V-160A	155 - 165	144	8	9.0	14.5	$d_1 + 4$	$d_1 + 24$	$12.0 \pm 1.8$
V-170A	165 - 175	153	8	9.0	14.5	$d_1 + 4$	$d_1 + 24$	$12.0 \pm 1.8$
V-180A	175 - 185	162	8	9.0	14.5	$d_1 + 4$	$d_1 + 24$	$12.0 \pm 1.8$
V-190A	185 - 195	171	8	9.0	14.5	$d_1 + 4$	$d_1 + 24$	$12.0 \pm 1.8$
V-199A	195 - 210	180	8	9.0	14.5	$d_1 + 4$	$d_1 + 24$	$12.0 \pm 1.8$
V-200A	190 - 210	180	15	14.3	25.0	$d_1 + 10$	$d_1 + 45$	$20.0 \pm 4.0$
V-220A	210 - 235	198	15	14.3	25.0	$d_1 + 10$	$d_1 + 45$	$20.0 \pm 4.0$
V-250A	235 - 265	225	15	14.3	25.0	$d_1 + 10$	$d_1 + 45$	$20.0 \pm 4.0$
V-275A	265 - 290	247	15	14.3	25.0	$d_1 + 10$	$d_1 + 45$	$20.0 \pm 4.0$
V-300A	290 - 310	270	15	14.3	25.0	$d_1 + 10$	$d_1 + 45$	$20.0 \pm 4.0$
V-325A	310 - 335	292	15	14.3	25.0	$d_1 + 10$	$d_1 + 45$	$20.0 \pm 4.0$
V-350A	335 - 365	315	15	14.3	25.0	$d_1 + 10$	$d_1 + 45$	$20.0 \pm 4.0$
V-375A	365 - 390	337	15	14.3	25.0	$d_1 + 10$	$d_1 + 45$	$20.0 \pm 4.0$
V-400A	390 - 430	360	15	14.3	25.0	$d_1 + 10$	$d_1 + 45$	$20.0 \pm 4.0$
V-450A	430 - 480	405	15	14.3	25.0	$d_1 + 10$	$d_1 + 45$	$20.0 \pm 4.0$
V-500A	480 - 530	450	15	14.3	25.0	$d_1 + 10$	$d_1 + 45$	$20.0 \pm 4.0$
V-550A	530 - 580	495	15	14.3	25.0	$d_1 + 10$	$d_1 + 45$	$20.0 \pm 4.0$
V-600A	580 - 630	540	15	14.3	25.0	$d_1 + 10$	$d_1 + 45$	$20.0 \pm 4.0$
V-650A	630 - 665	600	15	14.3	25.0	$d_1 + 10$	$d_1 + 45$	$20.0 \pm 4.0$
V-700A	665 - 705	630	15	14.3	25.0	$d_1 + 10$	$d_1 + 45$	$20.0 \pm 4.0$
V-725A	705 - 745	670	15	14.3	25.0	$d_1 + 10$	$d_1 + 45$	$20.0 \pm 4.0$
V-750A	745 - 785	705	15	14.3	25.0	$d_1 + 10$	$d_1 + 45$	$20.0 \pm 4.0$
V-800A	785 - 830	745	15	14.3	25.0	$d_1 + 10$	$d_1 + 45$	$20.0 \pm 4.0$
V-850A	830 - 875	785	15	14.3	25.0	$d_1 + 10$	$d_1 + 45$	$20.0 \pm 4.0$
V-900A	875 - 920	825	15	14.3	25.0	$d_1 + 10$	$d_1 + 45$	$20.0 \pm 4.0$
V-950A	920 - 965	865	15	14.3	25.0	$d_1 + 10$	$d_1 + 45$	$20.0 \pm 4.0$

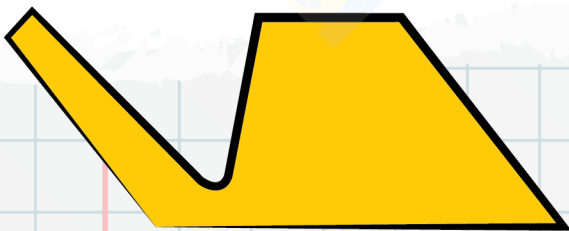


# V-RING TYPE A

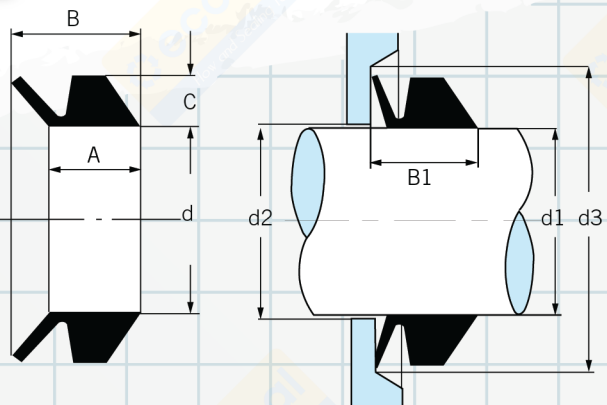
V-Ring Type	For shaft diameter $d_1$	Inside dia. $d$	Height of cross-section $c$	Dimension $A$	Free width $B$	Maximum $d_2$	Minimum $d_3$	Fitted width $B_1$
V-1000A	965 - 1015	910	15	14.3	25.0	$d_1 + 10$	$d_1 + 45$	$20.0 \pm 4.0$
V-1050A	1015 - 1065	955	15	14.3	25.0	$d_1 + 10$	$d_1 + 45$	$20.0 \pm 4.0$
V-1100A	1065 - 1115	1000	15	14.3	25.0	$d_1 + 10$	$d_1 + 45$	$20.0 \pm 4.0$
V-1150A	1115 - 1165	1045	15	14.3	25.0	$d_1 + 10$	$d_1 + 45$	$20.0 \pm 4.0$
V-1200A	1165 - 1215	1090	15	14.3	25.0	$d_1 + 10$	$d_1 + 45$	$20.0 \pm 4.0$
V-1250A	1215 - 1270	1135	15	14.3	25.0	$d_1 + 10$	$d_1 + 45$	$20.0 \pm 4.0$
V-1300A	1270 - 1320	1180	15	14.3	25.0	$d_1 + 10$	$d_1 + 45$	$20.0 \pm 4.0$
V-1350A	1320 - 1370	1225	15	14.3	25.0	$d_1 + 10$	$d_1 + 45$	$20.0 \pm 4.0$
V-1400A	1370 - 1420	1270	15	14.3	25.0	$d_1 + 10$	$d_1 + 45$	$20.0 \pm 4.0$
V-1450A	1420 - 1470	1315	15	14.3	25.0	$d_1 + 10$	$d_1 + 45$	$20.0 \pm 4.0$
V-1500A	1470 - 1520	1360	15	14.3	25.0	$d_1 + 10$	$d_1 + 45$	$20.0 \pm 4.0$
V-1550A	1520 - 1570	1405	15	14.3	25.0	$d_1 + 10$	$d_1 + 45$	$20.0 \pm 4.0$
V-1600A	1570 - 1620	1450	15	14.3	25.0	$d_1 + 10$	$d_1 + 45$	$20.0 \pm 4.0$
V-1650A	1620 - 1670	1495	15	14.3	25.0	$d_1 + 10$	$d_1 + 45$	$20.0 \pm 4.0$
V-1700A	1670 - 1720	1540	15	14.3	25.0	$d_1 + 10$	$d_1 + 45$	$20.0 \pm 4.0$
V-1750A	1720 - 1770	1585	15	14.3	25.0	$d_1 + 10$	$d_1 + 45$	$20.0 \pm 4.0$
V-1800A	1770 - 1820	1630	15	14.3	25.0	$d_1 + 10$	$d_1 + 45$	$20.0 \pm 4.0$
V-1850A	1820 - 1870	1675	15	14.3	25.0	$d_1 + 10$	$d_1 + 45$	$20.0 \pm 4.0$
V-1900A	1870 - 1920	1720	15	14.3	25.0	$d_1 + 10$	$d_1 + 45$	$20.0 \pm 4.0$
V-1950A	1920 - 1970	1765	15	14.3	25.0	$d_1 + 10$	$d_1 + 45$	$20.0 \pm 4.0$
V-2000A	1970 - 2020	1810	15	14.3	25.0	$d_1 + 10$	$d_1 + 45$	$20.0 \pm 4.0$



# V-RING TYPE S



รูปหน้าตัด (Cross section)  
ของ V-Ring

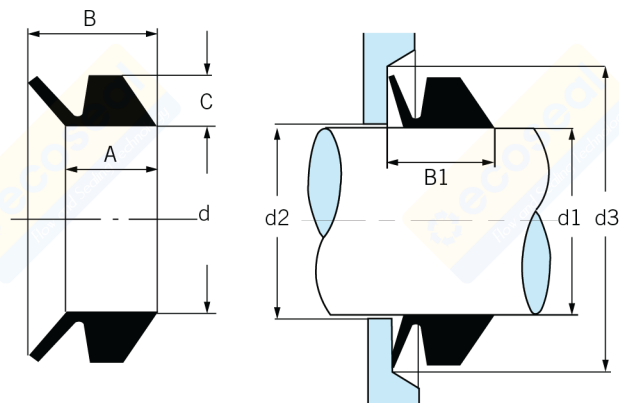


\*ค่าที่ควรทราบ d1 คือ Diameter ของเพล  
d คือ Inside Diameter ของ V-Ring



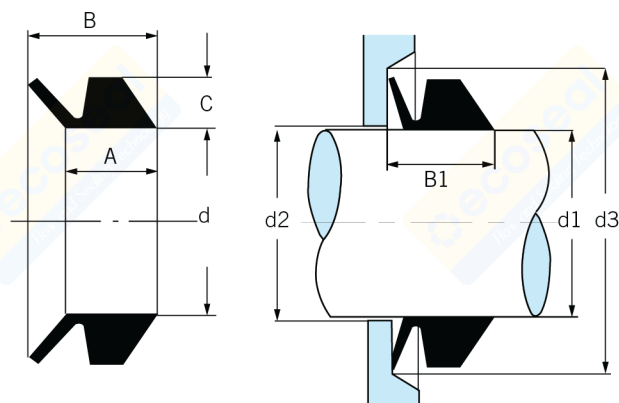
# V-RING TYPE S

V-Ring Type	For shaft diameter $d_1$	Inside dia. $d$	Height of cross-section $c$	Dimension $A$	Free width $B$	Maximum $d_2$	Minimum $d_3$	Fitted width $B_1$
V-5S	4.5 - 5.5	4	2	3.9	5.2	$d_1 + 1$	$d_1 + 6$	$4.5 \pm 0.4$
V-6S	5.5 - 6.5	5	2	3.9	5.2	$d_1 + 1$	$d_1 + 6$	$4.5 \pm 0.4$
V-7S	6.5 - 8.0	6	2	3.9	5.2	$d_1 + 1$	$d_1 + 6$	$4.5 \pm 0.4$
V-8S	8.0 - 9.5	7	2	3.9	5.2	$d_1 + 1$	$d_1 + 6$	$4.5 \pm 0.4$
V-10S	9.5 - 11.5	9	3	5.6	7.7	$d_1 + 1$	$d_1 + 9$	$6.7 \pm 0.6$
V-12S	11.5 - 13.5	10.5	3	5.6	7.7	$d_1 + 1$	$d_1 + 9$	$6.7 \pm 0.6$
V-14S	13.5 - 15.5	12.5	3	5.6	7.7	$d_1 + 1$	$d_1 + 9$	$6.7 \pm 0.6$
V-16S	15.5 - 17.5	14	3	5.6	7.7	$d_1 + 1$	$d_1 + 9$	$6.7 \pm 0.6$
V-18S	17.5 - 19	16	3	5.6	7.7	$d_1 + 1$	$d_1 + 9$	$6.7 \pm 0.6$
V-20S	19 - 21	18	4	7.9	10.5	$d_1 + 2$	$d_1 + 12$	$9.0 \pm 0.8$
V-22S	21 - 24	20	4	7.9	10.5	$d_1 + 2$	$d_1 + 12$	$9.0 \pm 0.8$
V-25S	24 - 27	22	4	7.9	10.5	$d_1 + 2$	$d_1 + 12$	$9.0 \pm 0.8$
V-28S	27 - 29	25	4	7.9	10.5	$d_1 + 2$	$d_1 + 12$	$9.0 \pm 0.8$
V-30S	29 - 31	27	4	7.9	10.5	$d_1 + 2$	$d_1 + 12$	$9.0 \pm 0.8$
V-32S	31 - 33	29	4	7.9	10.5	$d_1 + 2$	$d_1 + 12$	$9.0 \pm 0.8$
V-35S	33 - 36	31	4	7.9	10.5	$d_1 + 2$	$d_1 + 12$	$9.0 \pm 0.8$
V-38S	36 - 38	34	4	7.9	10.5	$d_1 + 2$	$d_1 + 12$	$9.0 \pm 0.8$
V-40S	38 - 43	36	5	9.5	13.0	$d_1 + 2$	$d_1 + 15$	$11.0 \pm 1.0$
V-45S	43 - 48	40	5	9.5	13.0	$d_1 + 2$	$d_1 + 15$	$11.0 \pm 1.0$
V-50S	48 - 53	45	5	9.5	13.0	$d_1 + 2$	$d_1 + 15$	$11.0 \pm 1.0$

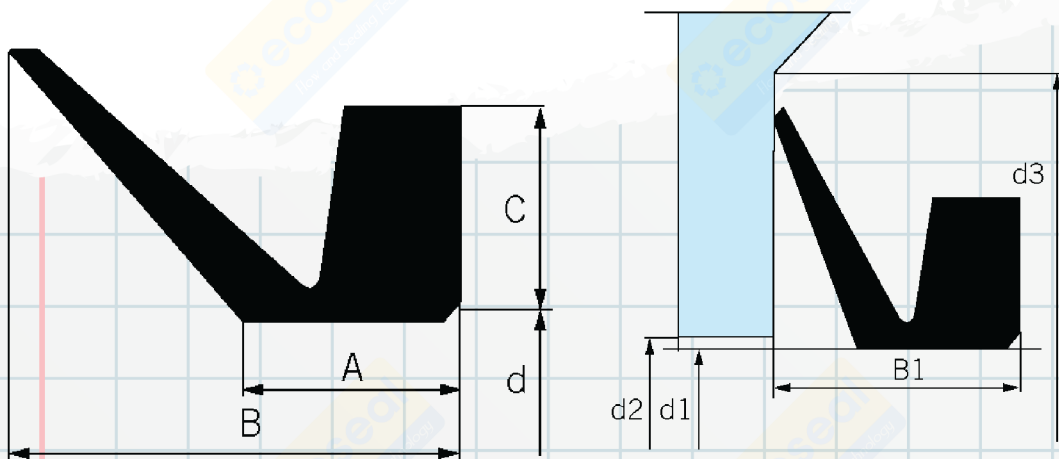


# V-RING TYPE S

V-Ring Type	For shaft diameter $d_1$	Inside dia. $d$	Height of cross-section $c$	Dimension $A$	Free width $B$	Maximum $d_2$	Minimum $d_3$	Fitted width $B_1$
V-55S	53 - 58	49	5	9.5	13.0	$d_1 + 2$	$d_1 + 15$	$11.0 \pm 1.0$
V-60S	58 - 63	54	5	9.5	13.0	$d_1 + 2$	$d_1 + 15$	$11.0 \pm 1.0$
V-65S	63 - 68	58	5	9.5	13.0	$d_1 + 2$	$d_1 + 15$	$11.0 \pm 1.0$
V-70S	68 - 73	63	6	11.3	15.5	$d_1 + 3$	$d_1 + 18$	$13.5 \pm 1.2$
V-75S	73 - 78	67	6	11.3	15.5	$d_1 + 3$	$d_1 + 18$	$13.5 \pm 1.2$
V-80S	78 - 83	72	6	11.3	15.5	$d_1 + 3$	$d_1 + 18$	$13.5 \pm 1.2$
V-85S	83 - 88	76	6	11.3	15.5	$d_1 + 3$	$d_1 + 18$	$13.5 \pm 1.2$
V-90S	88 - 93	81	6	11.3	15.5	$d_1 + 3$	$d_1 + 18$	$13.5 \pm 1.2$
V-95S	93 - 98	85	6	11.3	15.5	$d_1 + 3$	$d_1 + 18$	$13.5 \pm 1.2$
V-100S	98 - 105	90	6	11.3	15.5	$d_1 + 3$	$d_1 + 18$	$13.5 \pm 1.2$
V-110S	105 - 115	99	7	13.1	18.0	$d_1 + 4$	$d_1 + 21$	$15.5 \pm 1.5$
V-120S	115 - 125	108	7	13.1	18.0	$d_1 + 4$	$d_1 + 21$	$15.5 \pm 1.5$
V-130S	125 - 135	117	7	13.1	18.0	$d_1 + 4$	$d_1 + 21$	$15.5 \pm 1.5$
V-140S	135 - 145	126	7	13.1	18.0	$d_1 + 4$	$d_1 + 21$	$15.5 \pm 1.5$
V-150S	145 - 155	135	7	13.1	18.0	$d_1 + 4$	$d_1 + 21$	$15.5 \pm 1.5$
V-160S	155 - 165	144	8	15.0	20.5	$d_1 + 4$	$d_1 + 24$	$18.0 \pm 1.8$
V-170S	165 - 175	153	8	15.0	20.5	$d_1 + 4$	$d_1 + 24$	$18.0 \pm 1.8$
V-180S	175 - 185	162	8	15.0	20.5	$d_1 + 4$	$d_1 + 24$	$18.0 \pm 1.8$
V-190S	185 - 195	171	8	15.0	20.5	$d_1 + 4$	$d_1 + 24$	$18.0 \pm 1.8$
V-199S	195 - 210	180	8	15.0	20.5	$d_1 + 4$	$d_1 + 24$	$18.0 \pm 1.8$



# V-RING TYPE E



\*ค่าที่ควรทราบ d1 คือ Diameter ของเพลาด  
d คือ Inside Diameter ของ V-Ring

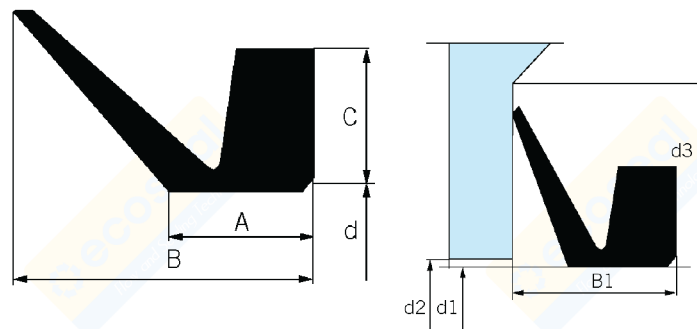
# V-RING TYPE E

## V-ring type E NBR

V-ring type	Shaft diameter	ID diameter
	d1	d
V - 450E	450 - 455	439
V - 455E	455 - 460	444
V - 460E	460 - 465	448
V - 465E	465 - 470	453
V - 470E	470 - 475	458
V - 475E	475 - 480	463
V - 480E	480 - 485	468
V - 485E	485 - 490	473
V - 490E	490 - 495	478
V - 495E	495 - 500	483
V - 500E	500 - 505	488
V - 505E	505 - 510	493
V - 510E	510 - 515	497
V - 515E	515 - 520	502
V - 520E	520 - 525	507
V - 525E	525 - 530	512
V - 530E	530 - 535	517
V - 535E	535 - 540	521
V - 540E	540 - 545	526

## V-ring type E NBR (continuation)

V-ring type	Shaft diameter	ID diameter
	d1	d
V - 545E	545 - 550	531
V - 550E	550 - 555	536
V - 555E	555 - 560	541
V - 560E	560 - 565	546
V - 565E	565 - 570	550
V - 570E	570 - 575	555
V - 575E	575 - 580	560
V - 580E	580 - 585	565
V - 585E	585 - 590	570
V - 590E	590 - 600	575
V - 600E	600 - 610	582
V - 610E	610 - 620	592
V - 620E	620 - 630	602
V - 630E	630 - 640	612
V - 640E	640 - 650	621
V - 650E	650 - 660	631
V - 660E	660 - 670	640
V - 670E	670 - 680	650
V - 680E	680 - 690	660



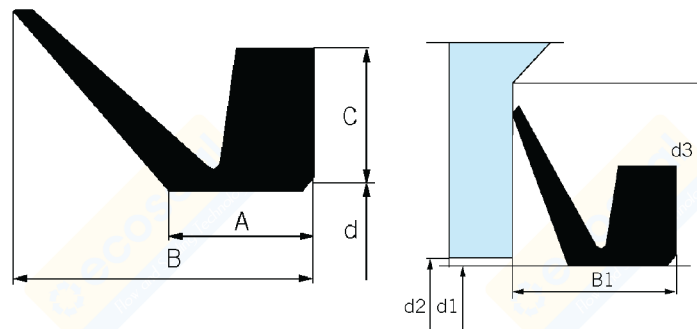
Select the larger V-ring when the dimension d1 is on the boundary between two sizes of V-ring. All dimension in mm.



# V-RING TYPE E

V-ring type E NBR continuation)

V-ring type	Shaft diameter	ID diameter
	d1	d
V - 1200E	1185 - 1205	1139
V - 1220E	1205 - 1225	1157
V - 1240E	1225 - 1245	1176
V - 1260E	1245 - 1270	1195
V - 1280E	1270 - 1295	1218
V - 1300E	1295 - 1315	1240
V - 1325E	1315 - 1340	1259
V - 1350E	1340 - 1365	1281
V - 1375E	1365 - 1390	1305
V - 1400E	1390 - 1415	1328
V - 1425E	1415 - 1440	1350
V - 1450E	1440 - 1465	1374
V - 1475E	1465 - 1490	1397
V - 1500E	1490 - 1515	1419
V - 1525E	1515 - 1540	1443
V - 1550E	1540 - 1570	1467
V - 1575E	1570 - 1600	1495
V - 1600E	1600 - 1640	1524
V - 1650E	1640 - 1680	1559
V - 1700E	1680 - 1720	1596
V - 1750E	1720 - 1765	1632
V - 1800E	1765 - 1810	1671
V - 1850E	1810 - 1855	1714
V - 1900E	1855 - 1905	1753
V - 1950E	1905 - 1955	1794
V - 2000E	1955 - 2010	1844



Select the larger V-ring when the dimension d1 is on the boundary between two sizes of V-ring. All dimension in mm.

